



## Installation Notes for the Trigger-G shipped with VISTA-12A, VISTA-12E, VISTA-48A, and VISTA-48E Panels

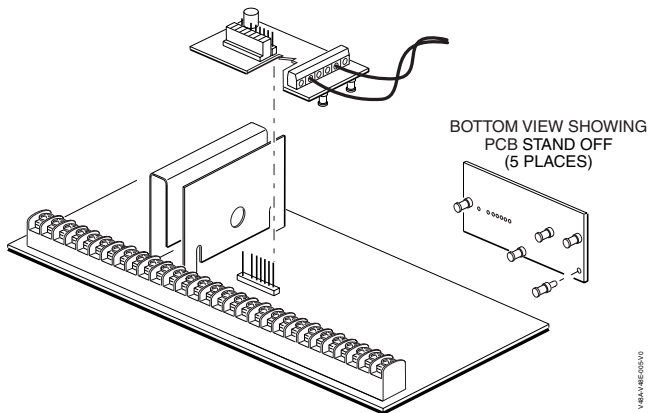
### Purpose:

The Trigger-G module provides:

- Supervision of Aux Power
- Supervision of Trigger Power
- Two connections for onboard triggers.

**IMPORTANT:** Make all wiring connections to the Trigger-G module **before** mounting the module to the PC board.

1. Install five standoffs (supplied) as shown below.



2. Connect field wiring to the desired trigger terminal on the trigger module (TRIG 1 = output 17; TRIG 2 = output 18) and the VTRIG +12V terminal.

For supervised trigger operation, refer to the following:

### Trigger Voltage/Aux Power Supervision

To supervise trigger voltage and/or aux power:

- A. For Aux Power: Use the Trigger Module terminals for ground and +12V connections (instead of main board terminals 4 and 5). For Trigger Voltage: Connect trigger wiring as described in step 2.
- B. Connect the SUPV terminal on the Trigger Module to a zone (+) terminal.
- C. Program that zone as a configurable zone type programmed as a 24-hour zone and with the desired report code (CID code 312 is recommended).

3. If using a Powerline Interface Modulator and powerline carrier devices, use the SA4120XM-1 cable (part of 4120TR Trigger Cable). Refer to the Installation and Setup Guide, Powerline Carrier Device section.
4. Install the Trigger Module by aligning its 8-pin header over the main PC board's 8-pin connector (orient the Trigger Module as shown in the figure to the left and by referring to the Summary of Connections diagram for which product this module was supplied), then press down firmly until the Trigger Module's standoffs are seated on the main PC board.

